

ITEM	QTY	PART NUMBER	DESCRIPTION
6	2	E-4044-5	Adjustable Table Stand Assembly
5	1	E-4044-15A	Spindle & Front Pivot Arm Assembly - 5RP
4	1	E-4044-9C	Assembly - Back Post w/ Raise & Lower
3	1	EC-5000-1634	B242010CH Enclosure - Wiegmann
2	1	EC-5000-158	Back Panel - 1412
1	1	EC-5000-1412	Back Panel - 2420
Ref	1		Wooden Polishing Table

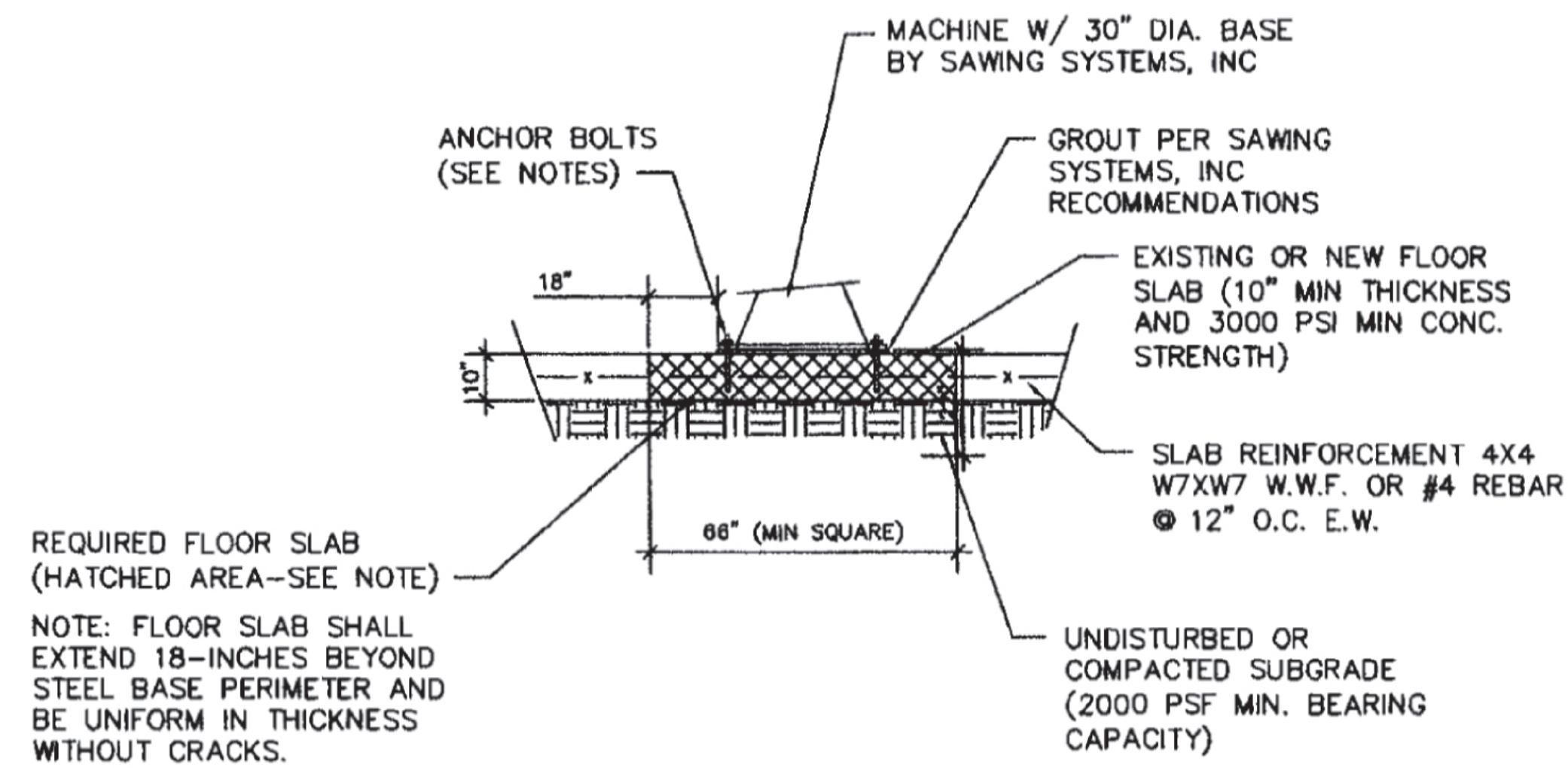
NOTES:  
 (1) All Foundation Bolts to be installed in accordance with TSB-05T05 Installation procedure.  
 (2) Level Machine Before Grouting

RELEASED	DATE	DIMENSIONS ARE IN INCHES AND DEGREES UNLESS OTHERWISE NOTED. DIMENSIONING AND TOLERANCES IN ACCORDANCE WITH ANSI Y14.5-1994
APPROVED	DATE	
PROJ. MGR.	DATE	FRACTIONS DECIMALS ANGLES $\pm 1/16"$ .X $\pm .05$ $\pm .06"$ .XX $\pm .010$ .XXX $\pm .005$
MATERIAL:		BREAK AND DEBURR ALL SHARP EDGES
WEIGHT:		THIRD ANGLE PROJECTION
NEXT ASSEMBLY		

**SAWING SYSTEMS INC.**  
 P.O. Box 3754 • Knoxville, TN 37927-3754 • (865) 525-0600  
 (800) 489-0601 • Telefax (865) 525-2320

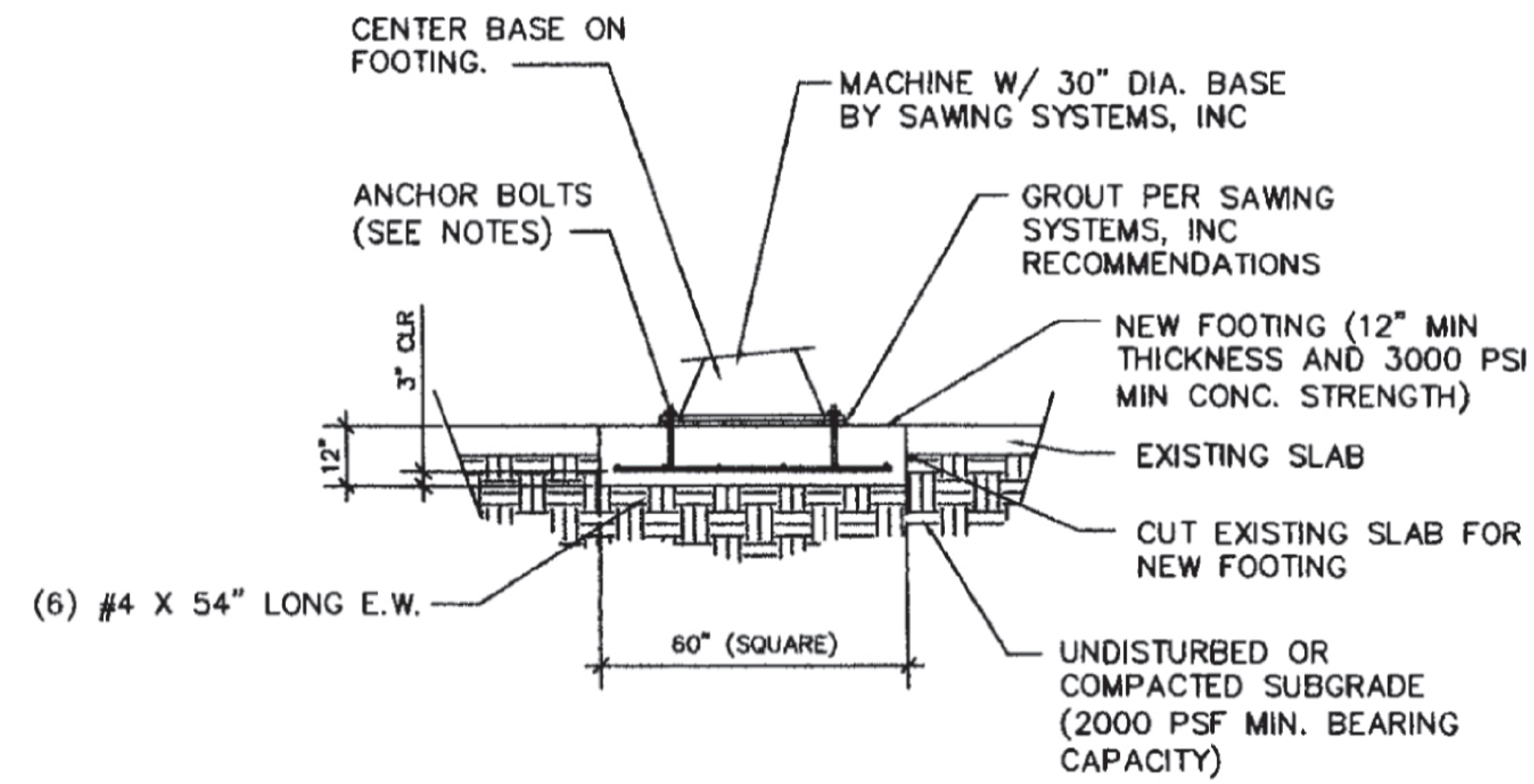
TITLE: Model 5RP w/Post Raise and Lower  
**Assembly and Foundation**

DRAWN: NDL SCALE: 1:14 DWG/PART NO: E-4044-4F2 SIZE: 1 of 1  
 DATE: 12/3/2004 WEIGHT: E REV



**MACHINE ON NEW OR EXISTING FLOOR SLAB**

SCALE 3/8" = 1'-0"



**MACHINE ON NEW CONCRETE FOOTING**

SCALE 3/8" = 1'-0"

**GENERAL CONCRETE NOTES:**

ALL CONCRETE WORK SHALL CONFORM TO THE AMERICAN CONCRETE INSTITUTE STANDARD 318-02, BUILDING CODE REQUIREMENTS FOR STRUCTURAL CONCRETE.

REINFORCING STEEL SHALL BE ASTM A-615, GRADE 60 STEEL.

ALL REINFORCING STEEL SHALL BE PLACED TO HAVE THE FOLLOWING COVER:

- 1" FOR CONCRETE NOT EXPOSED TO WEATHER
- 2" FOR CONCRETE EXPOSED TO WEATHER
- 3" FOR CONCRETE CAST AGAINST EARTH.

ALL REINFORCING STEEL SHALL CLEAN PRIOR TO PLACING CONCRETE.

ANCHOR BOLTS SHALL MINIMALLY BE ONE OF THE FOLLOWING:

- 1" DIA. A36 THREADED ROD WITH NUT AND WASHER CAST INTO NEW CONCRETE (6" MIN. EMBEDMENT LENGTH)
- 1" DIA. A-36 THREADED ROD DRILLED AND EPOXIED INTO CONCRETE (6" MIN. EMBEDMENT LENGTH)
- 1" DIA. CARBON STEEL HILTI KWIK BOLT II (6" MIN. EMBEDMENT LENGTH).
- 1" DIA. CARBON STEEL POWER SYSTEMS POWER BOLT (6" MIN. EMBEDMENT LENGTH).



<b>General Notes</b>		
NOTES		
No.	Revision/Issue	Date
<b>FOUNDATION SYSTEMS ENGINEERING, P.C.</b> <small>Geotechnical &amp; Geoenvironmental Consultants</small> 2206 ATCHLEY STREET P.O. BOX 9448 KNOXVILLE, TN 37940    865-577-3361 FAX 573-1817 ts@ksr.com		
<b>Sawing Systems, Inc.</b> PO Box 3754 Knoxville, Tennessee 37927		
Project Name and Address <b>Small Router Polisher #2</b> Foundation Details and Notes		
Project	Date	Sheet
Date	11/08/04	S-1
Status	NOTED	